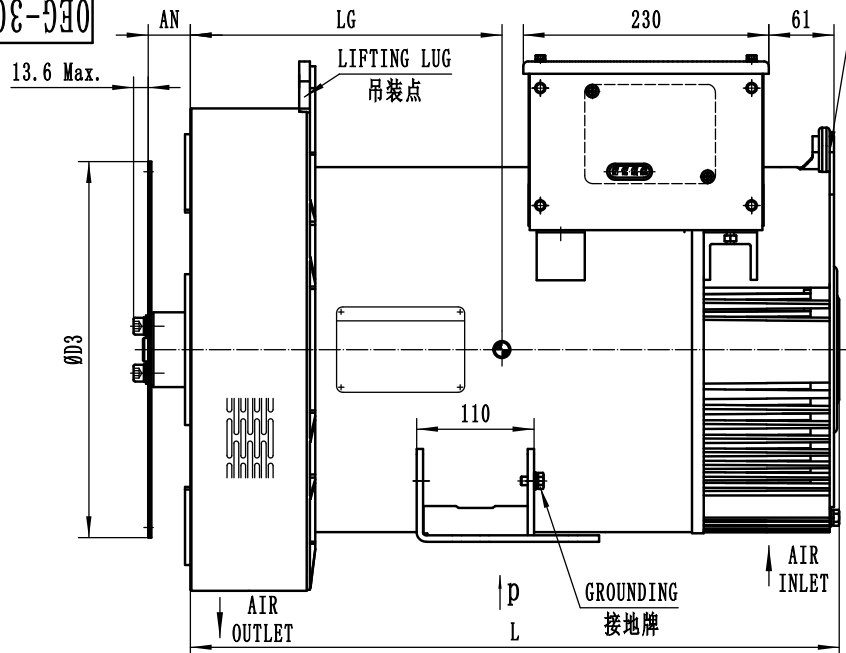
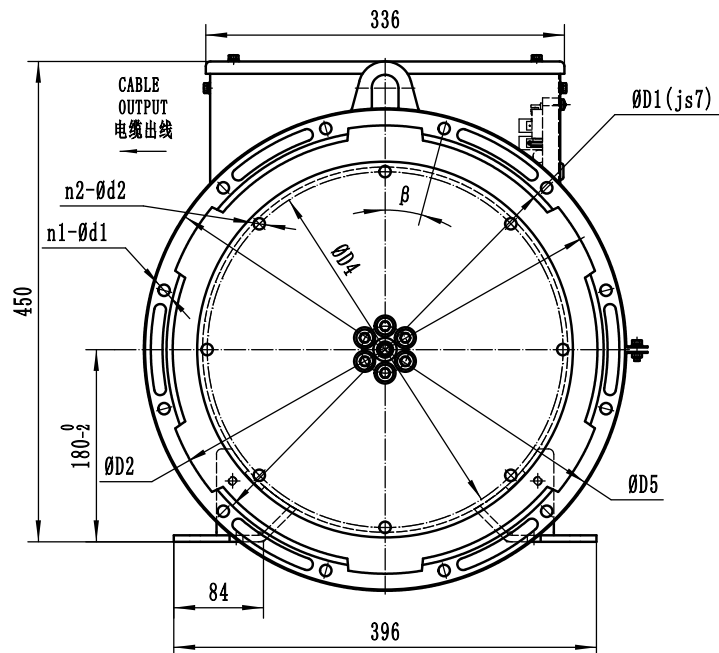


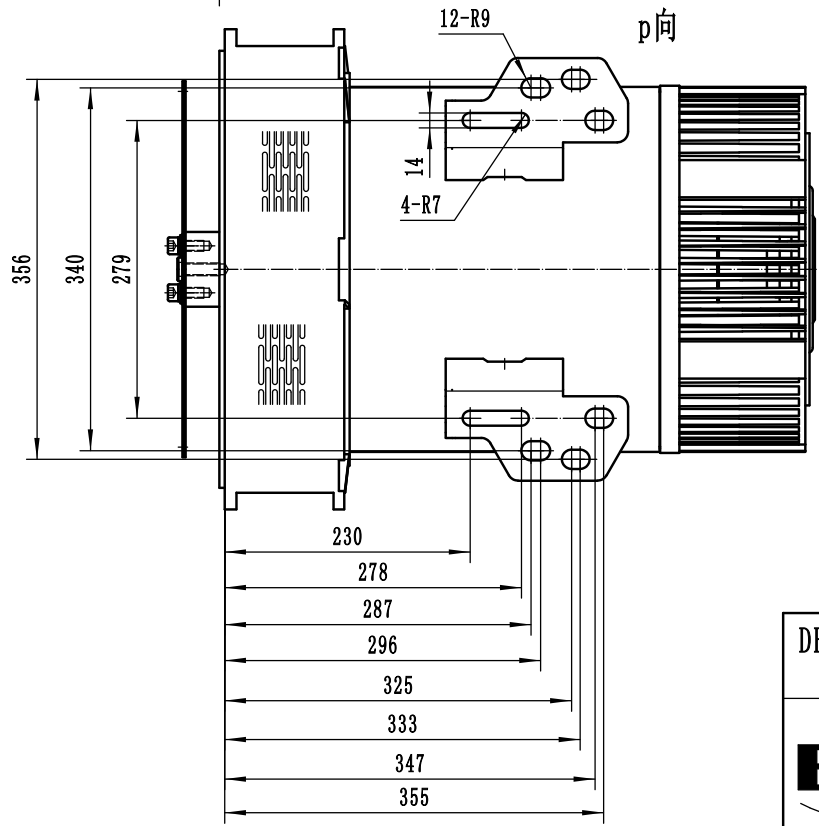
0EG-300-246~250



LIFTING LUG
吊装点



● = CENTER OF GRAVITY
DIMENSION IN mm
OPTION TO IP21 OR IP23



● 可选配置
(Available)

可选连接法兰和驱动盘片SAE号 (SAE ADAPTER & COUPLING)		
	SAE4	SAE3
SAE11.5#		●
SAE10#	●	●
SAE8#	●	●
SAE7.5#	●	●

可选驱动盘片SAE号和尺寸 (OPTION COUPLING DIMENSION)					
	ØD3	ØD4	n2	d2	AN
11.5#	352.30	333.38	8	11	39.68
10#	314.20	295.28	8	11	53.98
8#	263.40	244.48	6	11	61.9
7.5#	241.20	222.25	8	9	30.2

Drawing number	Model	L	LG	Weight (kg)
0EG-300-250	EG180-30N3	528	240	164
0EG-300-249	EG180-28N3	518	235	142
0EG-300-248	EG180-24N3	493	222	129
0EG-300-247	EG180-20N3	493	215	121
0EG-300-246	EG180-18N3	493	210	113

可选连接法兰SAE号和尺寸 (OPTION FLANGE DIMENSION)						
	ØD1	ØD2	ØD5	n1	d1	β
4#	361.96	381	402	12	11	15°
3#	409.57	428.63	450	12	11	15°

2019.4.23 1:5

DESIGNED BY	COLLATED BY	APPROVED BY	FILENAME	DATE	PROPORTION
			EG180-18~30N3 SB Outline Drawing		
			ENGGA GENERATORS CO., LTD		0EG-300-246~250