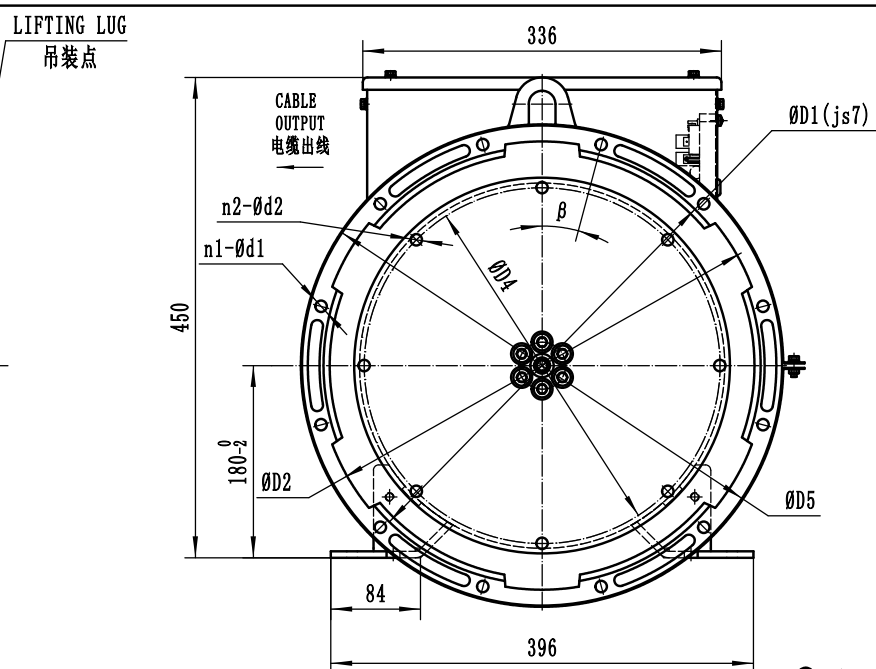
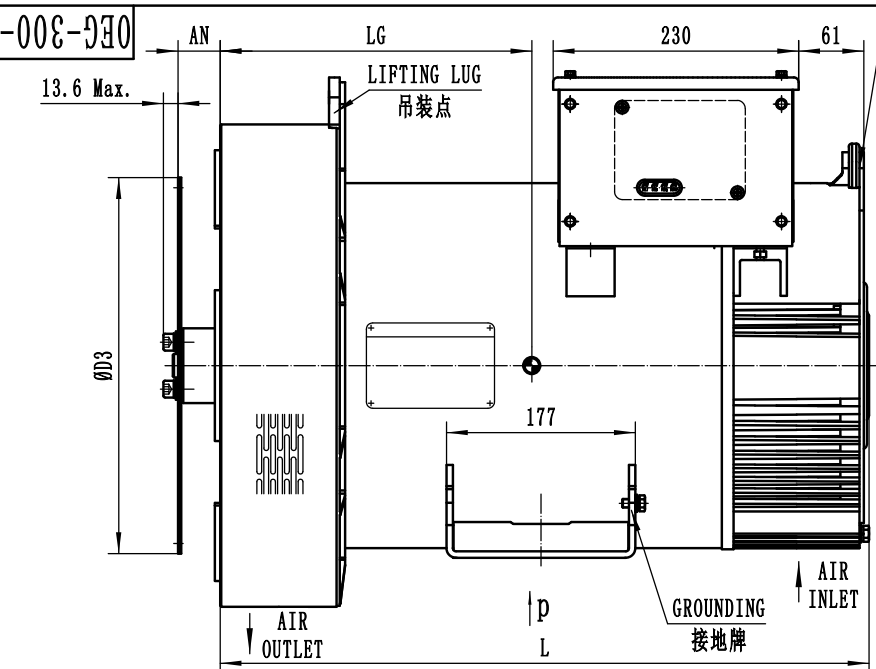
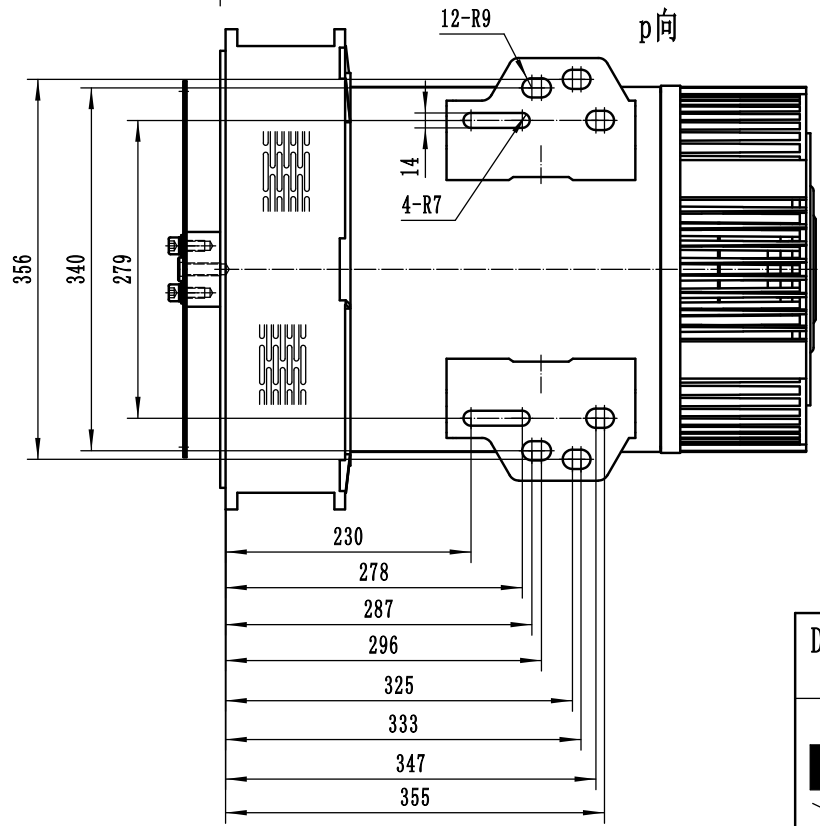


0EG-300-251~253



● = CENTER OF GRAVITY  
DIMENSION IN mm  
OPTION TO IP21 OR IP23



● 可选配置  
(Available)

	可选连接法兰和驱动盘片SAE号 (SAE ADAPTER & COUPLING)	
	SAE4	SAE3
SAE11.5#		●
SAE10#	●	●
SAE8#	●	●
SAE7.5#	●	●


可选驱动盘片SAE号和尺寸 (OPTION COUPLING DIMENSION)					
	ØD3	ØD4	n2	d2	AN
11.5#	352.30	333.38	8	11	39.68
10#	314.20	295.28	8	11	53.98
8#	263.40	244.48	6	11	61.9
7.5#	241.20	222.25	8	9	30.2

Drawing number	Model	L	LG	Weight (kg)
0EG-300-253	EG180-40N3	608	280	196
0EG-300-252	EG180-36N3	568	260	184
0EG-300-251	EG180-34N3	553	252	171

可选连接法兰SAE号和尺寸 (OPTION FLANGE DIMENSION)						
	ØD1	ØD2	ØD5	n1	d1	β
4#	361.96	381	402	12	11	15°
3#	409.57	428.63	450	12	11	15°

2019. 4. 23 1:5

DESIGNED BY	COLLATED BY	APPROVED BY	FILENAME	DATE	PROPORTION
-------------	-------------	-------------	----------	------	------------



EG180-34~40N3 SB Outline Drawing

0EG-300-251~253

ENGGA GENERATORS CO., LTD

REV. MARK